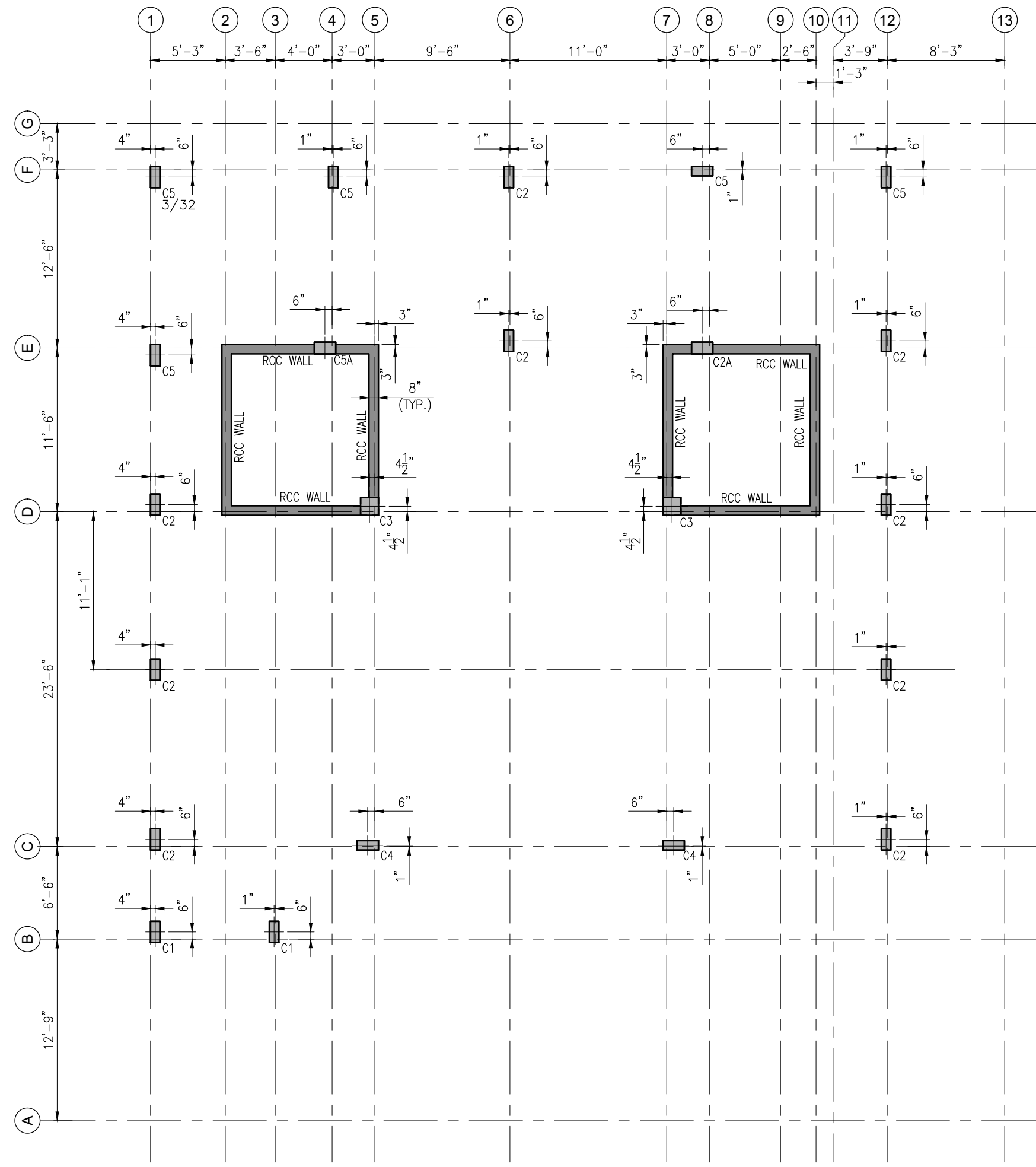




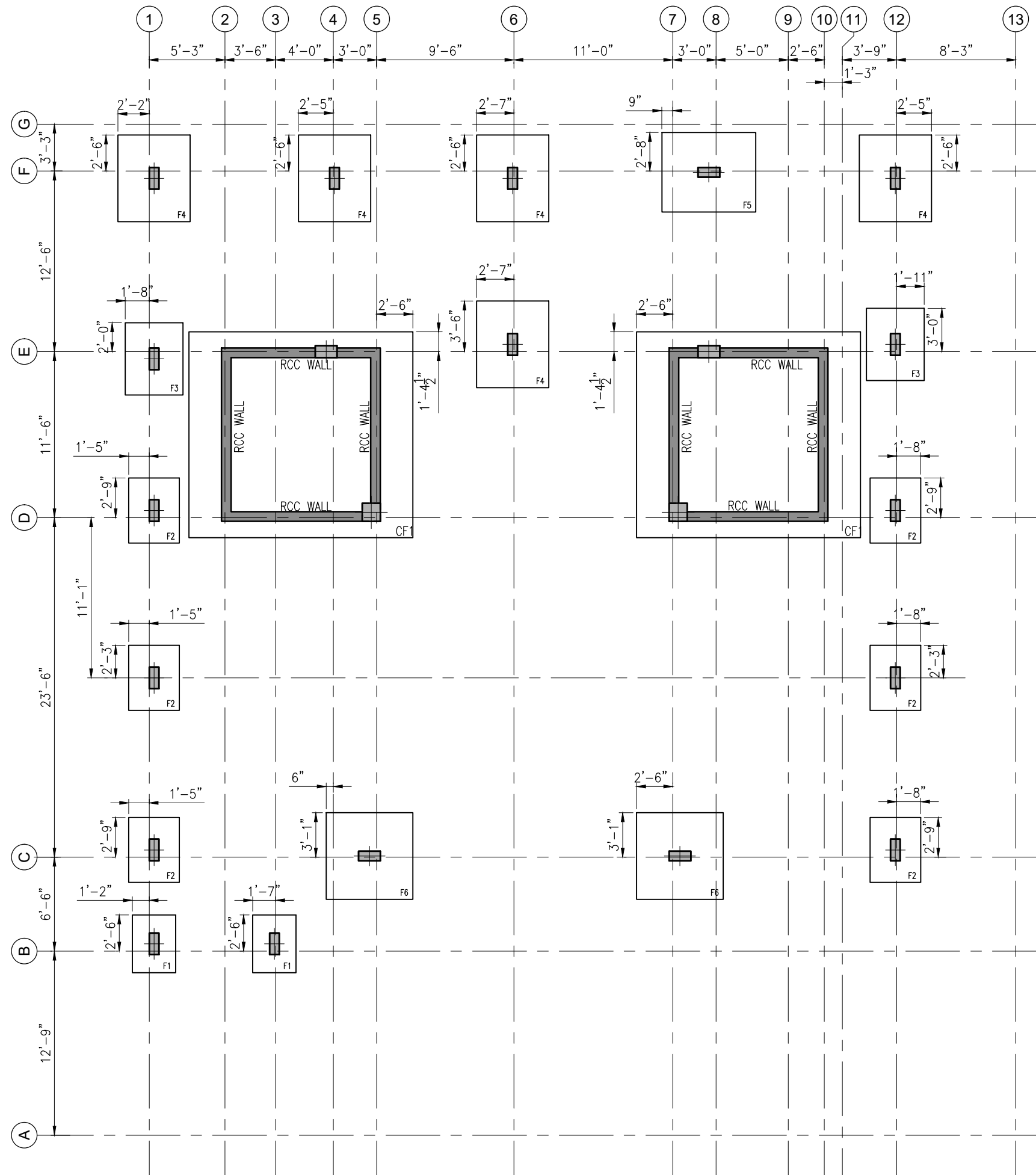
**NOTE:**

1. FOR GENERAL NOTES REFER DWG. NO. S-001
2. ALL STRUCTURAL DRAWINGS TO BE READ IN CONJUNCTION WITH ARCHITECTURAL DWGS.
3. ANY DISCREPANCY IN STRUCTURAL DRAWINGS TO BE REPORTED TO THE ENGINEER PRIOR TO EXECUTION OF WORK



**A** COLUMN LAYOUT PLAN  
SCALE 1/8"=1'-0"

 NATIONAL BANK OF PAKISTAN	
PROJECT:	NBP PAF Bhulari Branch (000) Hyderabad Region.
TITLE:	COLUMN LAYOUT PLAN
CONSULTANT:	Tech - Professionals and Consultants (Pvt) Ltd 
DATE:	17/06/22
JOB NO:	001
DWG NO:	S-101
REV:	01



**NOTE:**

1. FOR GENERAL NOTES REFER DWG. NO. S-001
2. ALL STRUCTURAL DRAWINGS TO BE READ IN CONJUNCTION WITH ARCHITECTURAL DWGS.
3. ANY DISCREPANCY IN STRUCTURAL DRAWINGS TO BE REPORTED TO THE ENGINEER PRIOR TO EXECUTION OF WORK

**A** FOUNDATION LAYOUT PLAN  
SCALE 1/8"=1'-0"



NATIONAL BANK OF PAKISTAN

PROJECT: NBP PAF Bhulari Branch (000) Hyderabad Region.

TITLE: FOUNDATION LAYOUT PLAN

CONSULTANT: Tech - Professionals and Consultants (Pvt) Ltd



DATE: 17/06/22

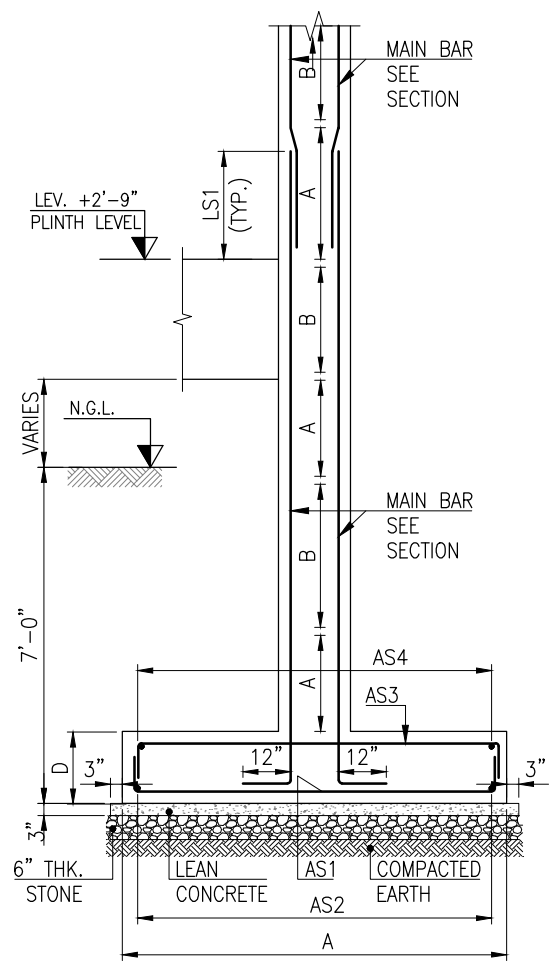
JOB NO: 001

DWG NO: S-102

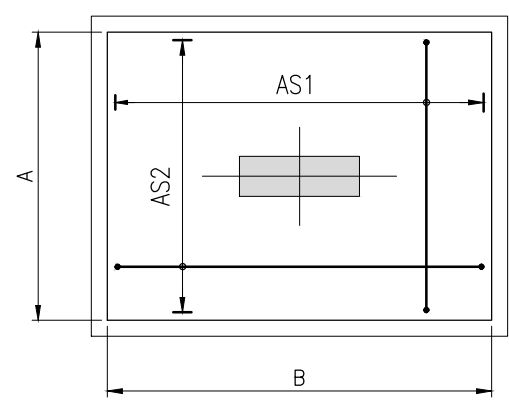
REV: 01

**NOTE:**

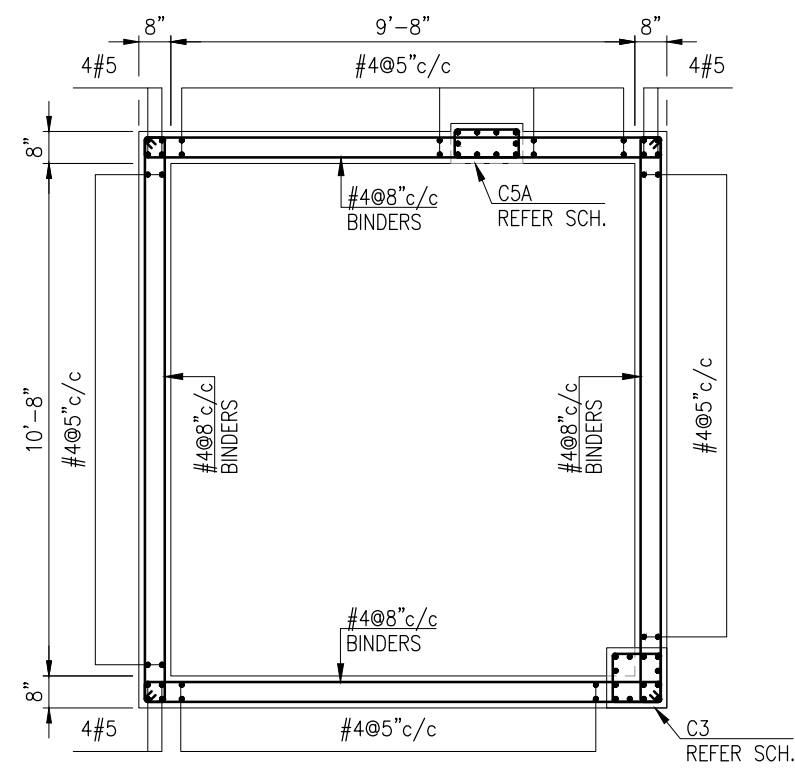
1. FOR GENERAL NOTES REFER DWG. NO. S-001
2. ALL STRUCTURAL DRAWINGS TO BE READ IN CONJUNCTION WITH ARCHITECTURAL DWGS.
3. ANY DISCREPANCY IN STRUCTURAL DRAWINGS TO BE REPORTED TO THE ENGINEER PRIOR TO EXECUTION OF WORK



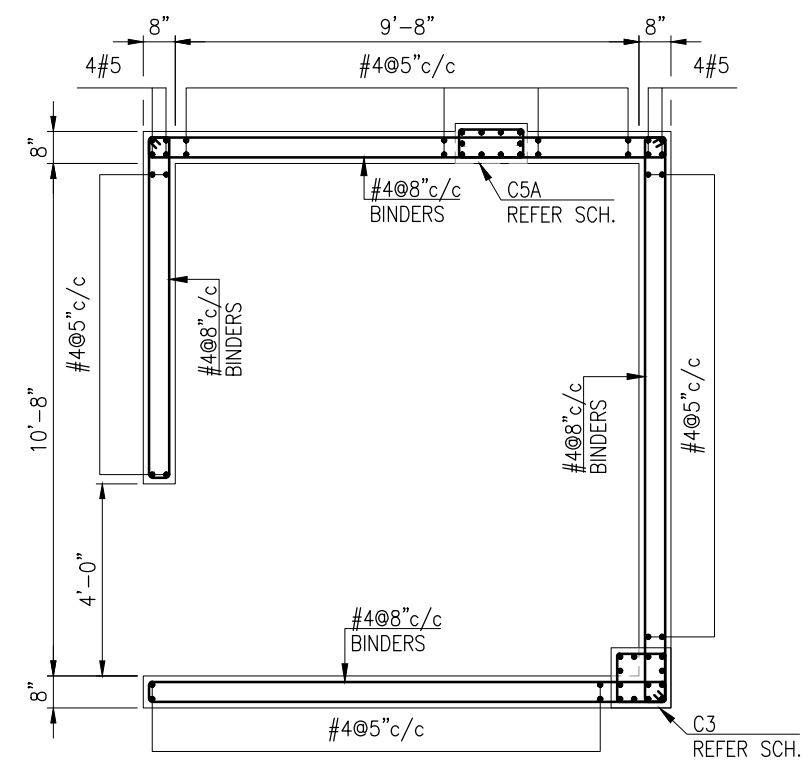
**COLUMN ELEVATION (TYPICAL)**  
SCALE 1/4"=1'-0"



**TYPICAL DETAIL OF ISOLATED FOOTING**  
SCALE 1/4"=1'-0"





**LIFT WALL REINFORCEMENT DETAIL**  
SCALE 1/4"=1'-0" (FROM FOUNDATION TO LEV. +2'-9")



**LIFT WALL REINFORCEMENT DETAIL**  
SCALE 1/4"=1'-0" (FROM LEV. +2'-9" TO LEV. 13'-9")

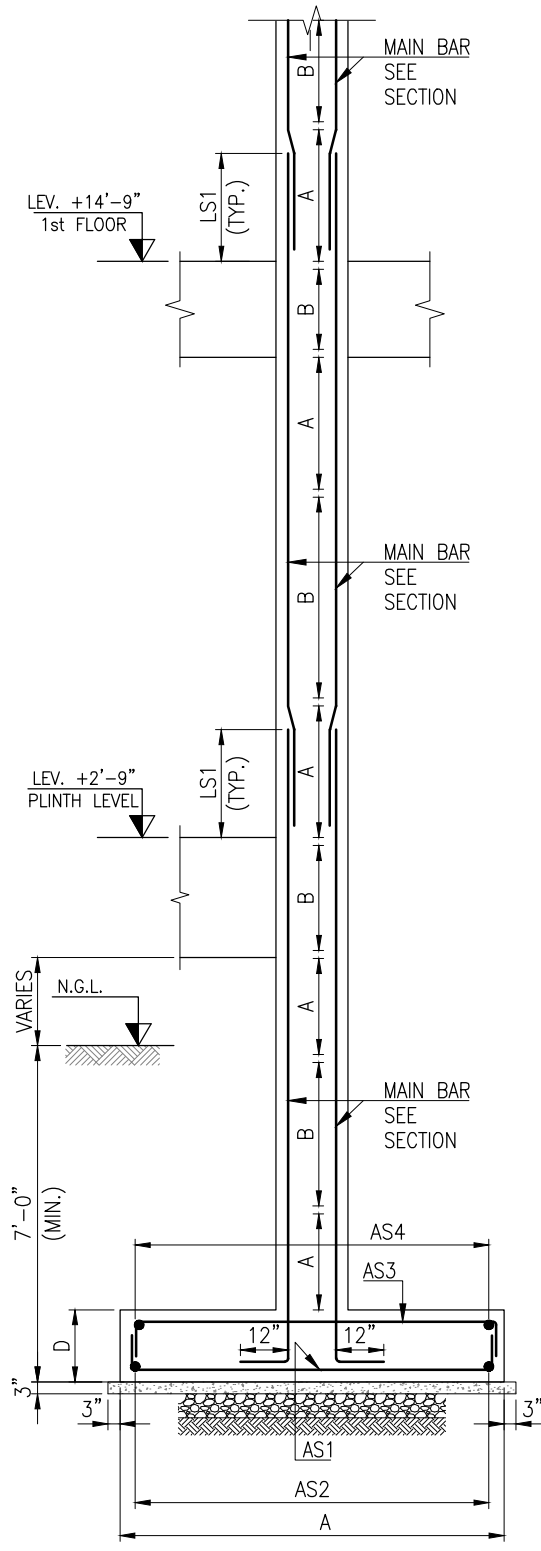
**SCHEDULE OF FOOTINGS**

MARK	SIZE OF FOOTINGS			REINFORCEMENTS				REMARKS
	A	B	D	AS1	AS2	AS3	AS4	
F1	3'-0"	4'-0"	18"	#4@6" c/c.	#4@6" c/c.	-	-	-
F2	3'-6"	4'-6"	18"	#4@6" c/c.	#4@6" c/c.	-	-	-
F3	4'-0"	5'-0"	18"	#4@6" c/c.	#4@6" c/c.	-	-	-
F4	5'-0"	6'-0"	18"	#4@6" c/c.	#5@4" c/c.	-	-	-
F5	5'-6"	6'-6"	18"	#4@6" c/c.	#4@6" c/c.	-	-	-
F6	6'-0"	6'-0"	18"	#4@6" c/c.	#4@6" c/c.	-	-	-
CF1	14'-3"	15'-6"	18"	#4@5" c/c.	#4@5" c/c.	#4@5" c/c.	#4@5" c/c.	-

		<b>NATIONAL BANK OF PAKISTAN</b>	
PROJECT:		NBP PAF Bhulari Branch (000) Hyderabad Region.	
TITLE:		FOUNDATION SCHEDULE & REINFORCEMENT DETAILS	
CONSULTANT:		Tech - Professionals and Consultants (Pvt) Ltd 	
DATE:	JOB NO:	DWG NO:	REV:
17/06/22	001	S-103	01



**NOTE:**

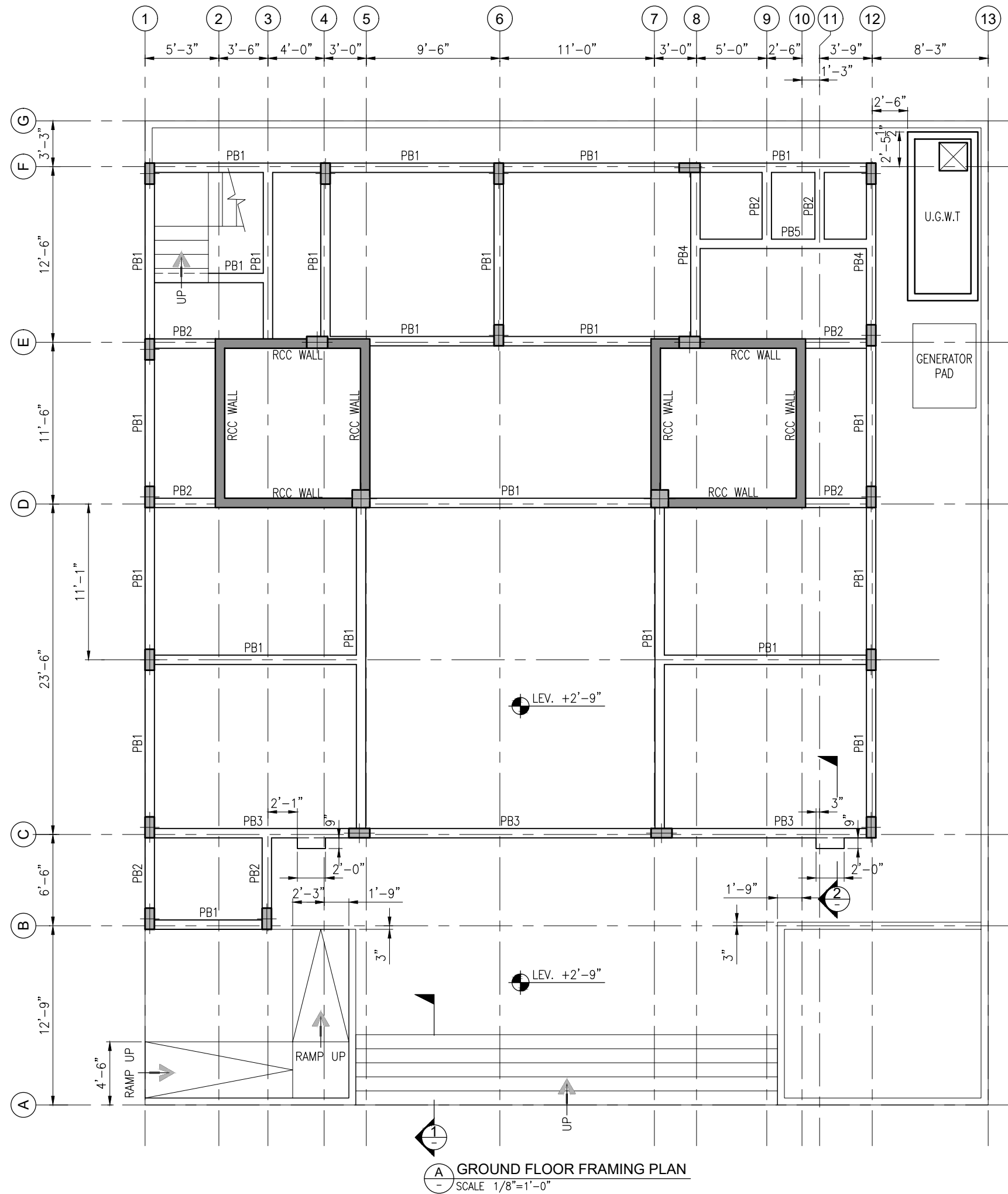
1. FOR GENERAL NOTES REFER DWG. NO. S-001
2. ALL STRUCTURAL DRAWINGS TO BE READ IN CONJUNCTION WITH ARCHITECTURAL DWGS.
3. ANY DISCREPANCY IN STRUCTURAL DRAWINGS TO BE REPORTED TO THE ENGINEER PRIOR TO EXECUTION OF WORK



**A COLUMN ELEVATION (TYPICAL)**  
SCALE 1/4"=1'-0"

						UP TO O.H.W.T / STAIR TOWER	UP TO O.H.W.T / STAIR TOWER
EL +26'-9" TO EL +14'-9"	—						
EL +14'-9" TO EL +2'-9"							
EL +2'-9" TO FOUNDATION							
COLUMN ID	C1	C2	C2A	C3	C4	C5	C5A

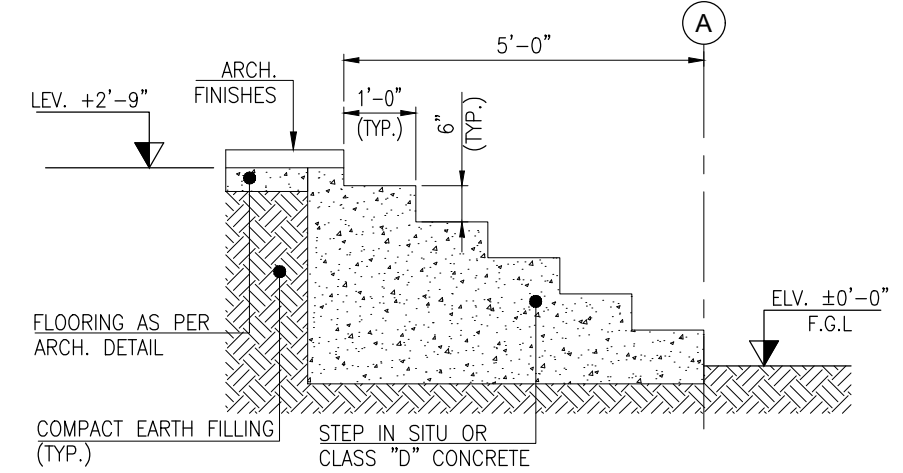
				NATIONAL BANK OF PAKISTAN			
PROJECT:				NBP PAF Bhulari Branch (000) Hyderabad Region.			
TITLE:				COLUMN SCHEDULE AND ELEVATIONS			
CONSULTANT:				Tech - Professionals and Consultants (Pvt) Ltd 			
DATE:	JOB NO:	DWG NO:	REV:				
17/06/22	001	S-104	02				



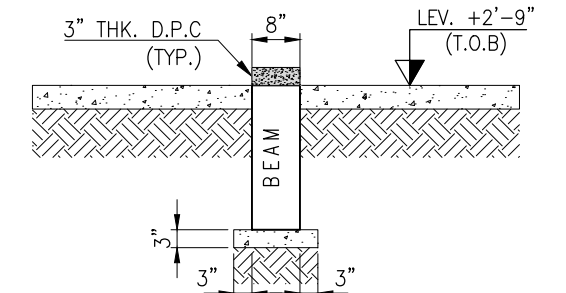
**(A) GROUND FLOOR FRAMING PLAN**  
SCALE 1/8"=1'-0"

**NOTE:**

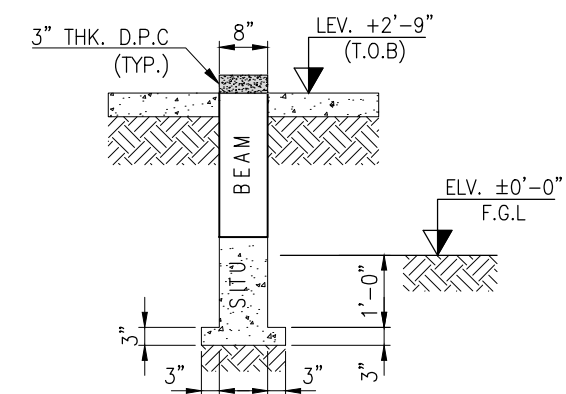
1. FOR GENERAL NOTES REFER DWG. NO. S-001
2. ALL STRUCTURAL DRAWINGS TO BE READ IN CONJUNCTION WITH ARCHITECTURAL DWGS.
3. ANY DISCREPANCY IN STRUCTURAL DRAWINGS TO BE REPORTED TO THE ENGINEER PRIOR TO EXECUTION OF WORK



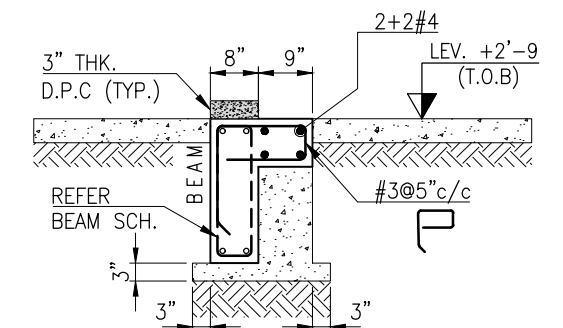
**SECTION 1**  
SCALE 3/8"=1'



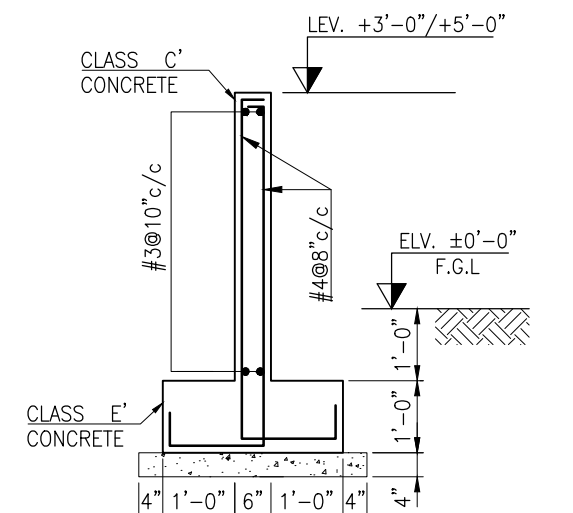
**(B) TYP. SECTION OF PLINTH BEAM**  
SCALE 3/8"=1' (FOR ALL INTERNAL BEAM)





**(C) TYP. SECTION OF PLINTH BEAM**  
SCALE 3/8"=1' (FOR ALL EXTERNAL BEAM)

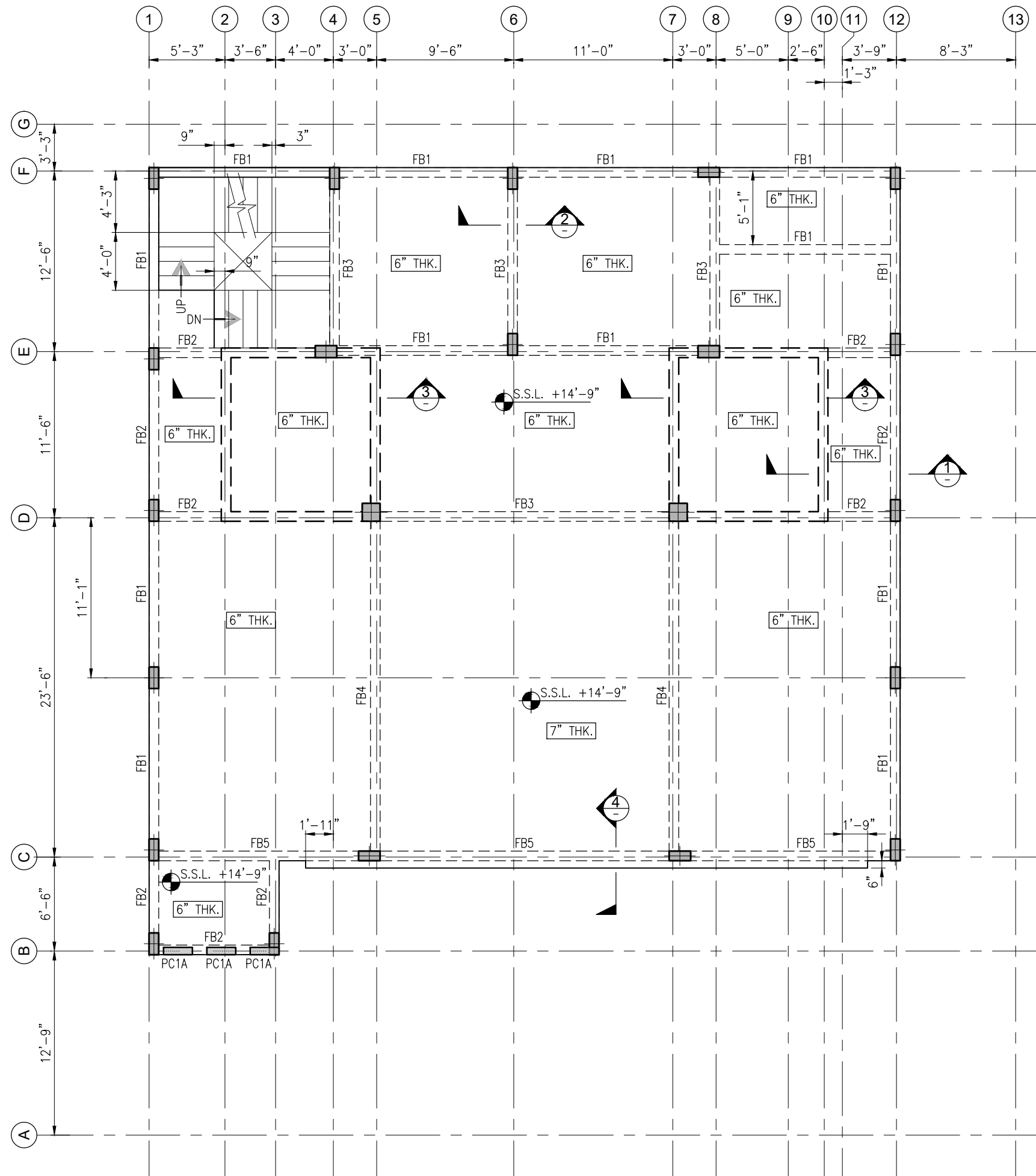


**SECTION 2**  
SCALE 3/8"=1'



**(D) TYP. DETAIL OF PERIPHERY WALL**  
SCALE 3/8"=1' (FOR ALL INTERNAL BEAM)

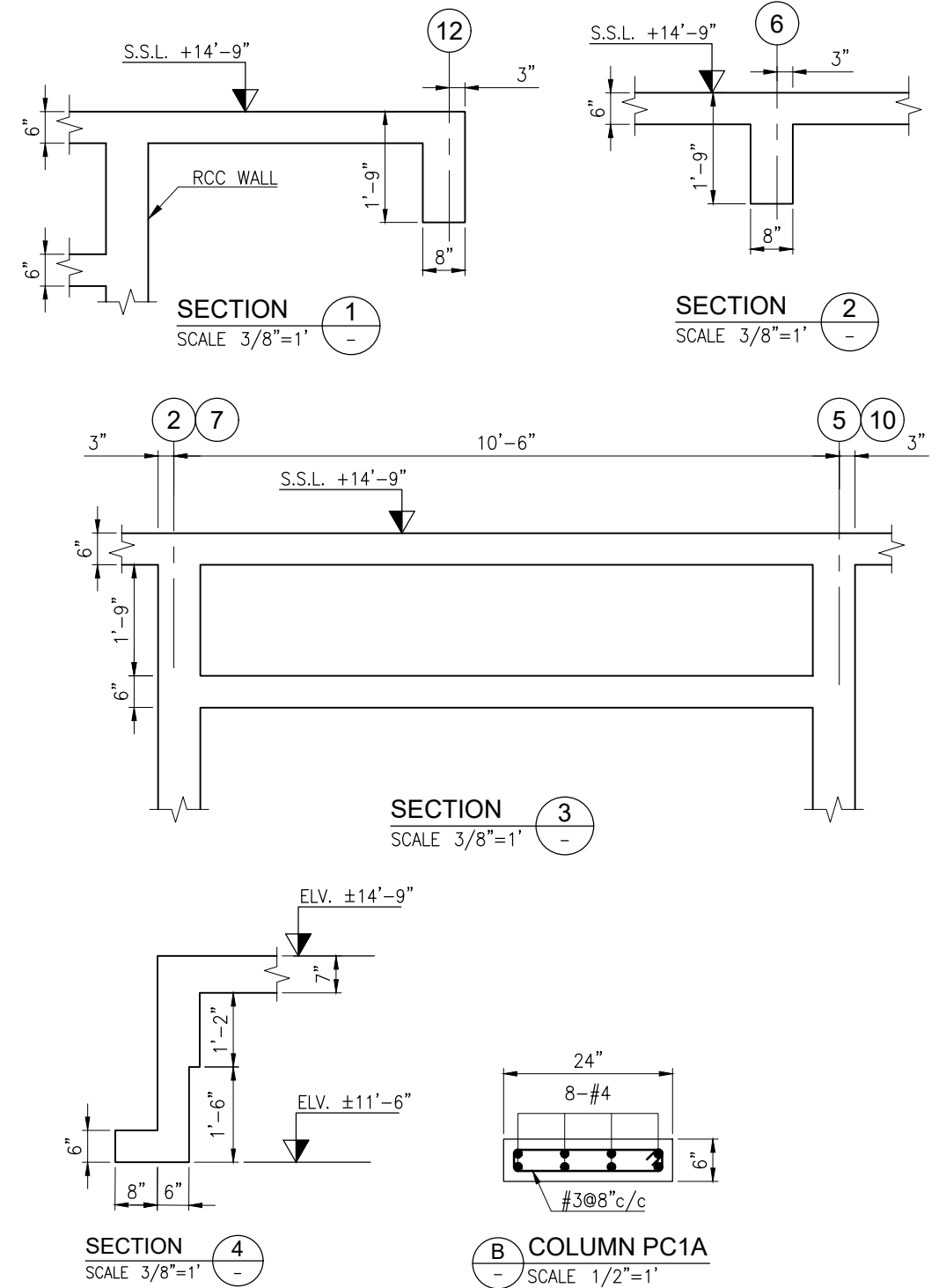
 <b>NATIONAL BANK OF PAKISTAN</b>			
PROJECT:		NBP PAF Bhulari Branch (000) Hyderabad Region.	
TITLE:		GROUND FLOOR FRAMING PLAN AND SECTIONS	
CONSULTANT:		Tech - Professionals and Consultants (Pvt) Ltd 	
DATE:	JOB NO:	DWG NO:	REV:
17/06/22	001	S-105	02





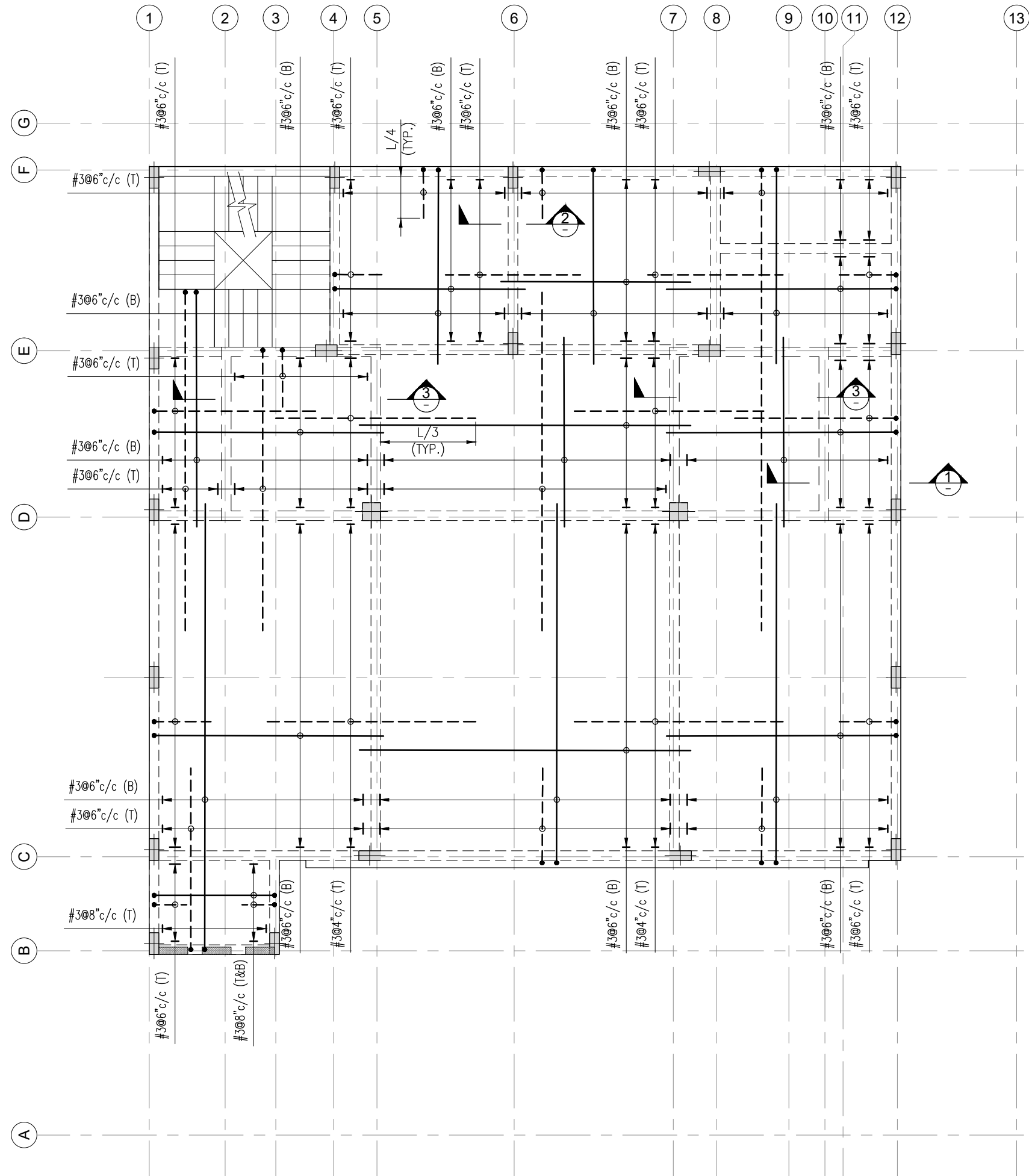
**A** FIRST FLOOR FRAMING PLAN  
SCALE 1/8"=1'-0"

**NOTE:**

1. FOR GENERAL NOTES REFER DWG. NO. S-001
2. ALL STRUCTURAL DRAWINGS TO BE READ IN CONJUNCTION WITH ARCHITECTURAL DWGS.
3. ANY DISCREPANCY IN STRUCTURAL DRAWINGS TO BE REPORTED TO THE ENGINEER PRIOR TO EXECUTION OF WORK



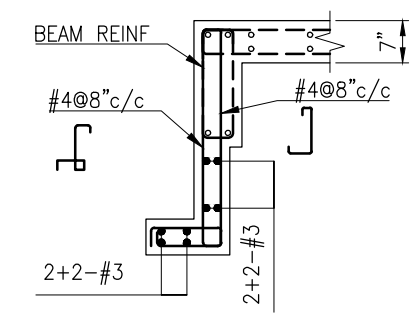
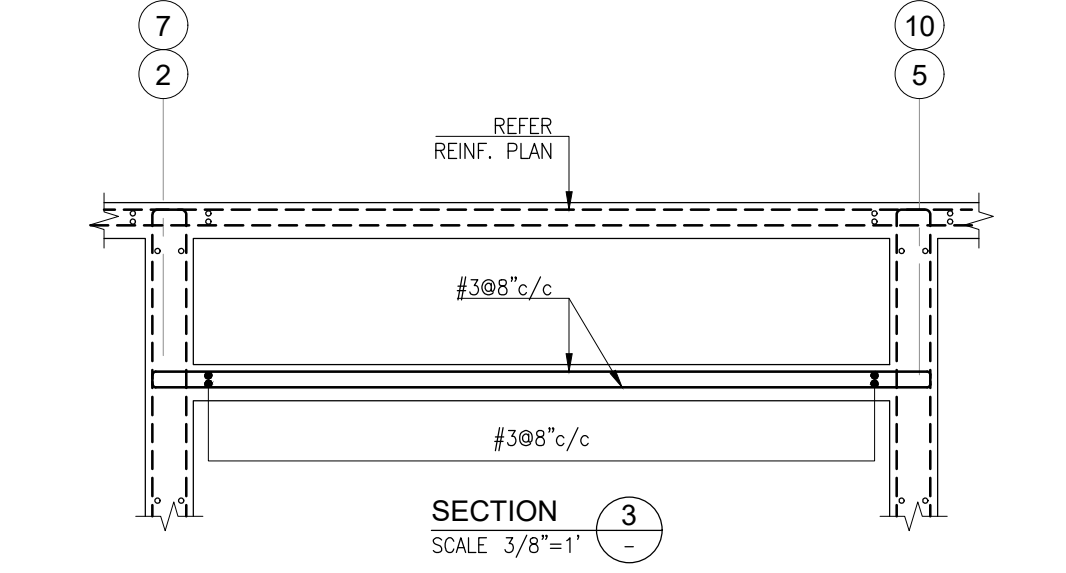
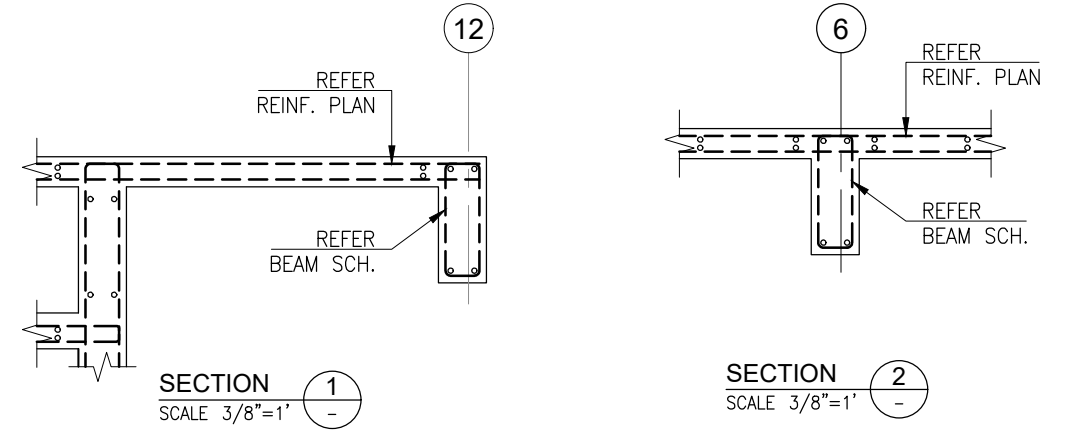
 NATIONAL BANK OF PAKISTAN			
PROJECT:		NBP PAF Bhulari Branch (000) Hyderabad Region.	
TITLE:		FIRST FLOOR FRAMING PLAN AND SECTIONS	
CONSULTANT:		Tech - Professionals and Consultants (Pvt) Ltd 	
DATE:	JOB NO:	DWG NO:	REV:
17/06/22	001	S-106	02





**A** FIRST FLOOR REINFORCEMENT PLAN  
SCALE 1/8"=1'-0"

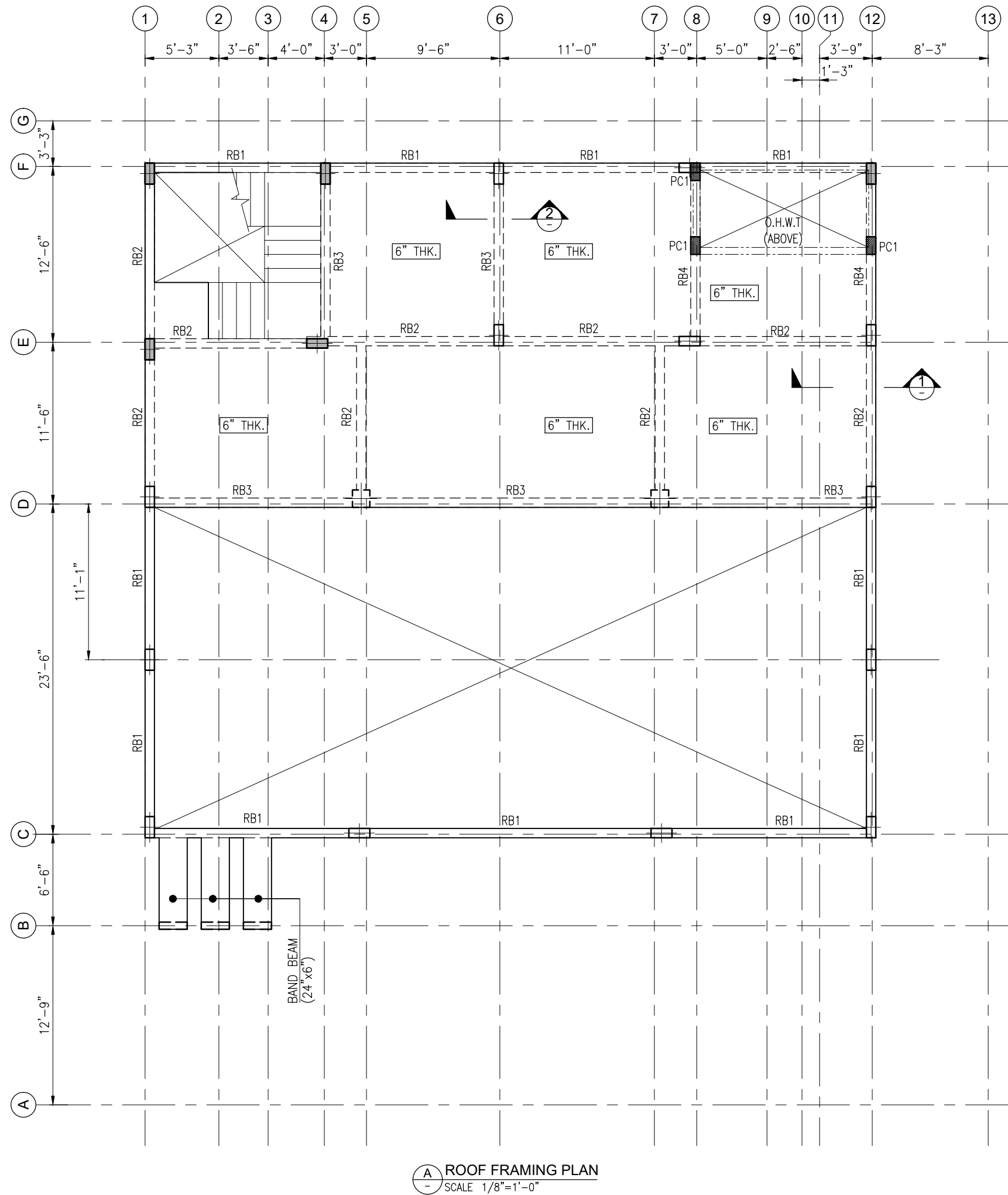
**NOTE:**

1. FOR GENERAL NOTES REFER DWG. NO. S-001
2. ALL STRUCTURAL DRAWINGS TO BE READ IN CONJUNCTION WITH ARCHITECTURAL DWGS.
3. ANY DISCREPANCY IN STRUCTURAL DRAWINGS TO BE REPORTED TO THE ENGINEER PRIOR TO EXECUTION OF WORK



**SECTION 4**  
SCALE 3/8"=1'

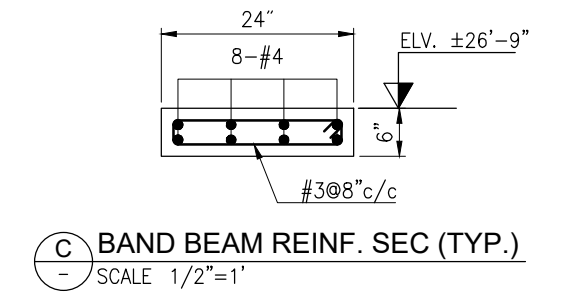
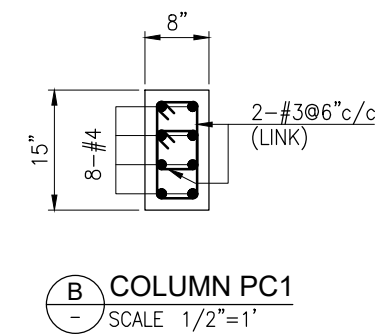
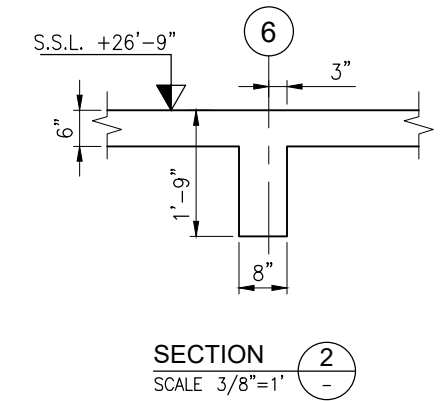
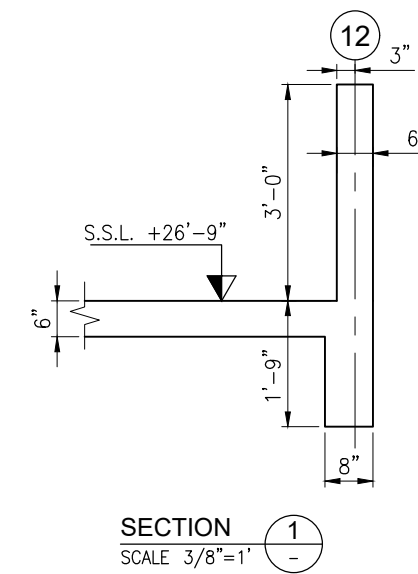
 <b>NATIONAL BANK OF PAKISTAN</b>			
PROJECT:		NBP PAF Bhulari Branch (000) Hyderabad Region.	
TITLE:		FIRST FLOOR SLAB REINFORCEMENT DETAILS	
CONSULTANT:		Tech - Professionals and Consultants (Pvt) Ltd 	
DATE:	JOB NO:	DWG NO:	REV:
17/06/22	001	S-107	02





**A** ROOF FRAMING PLAN  
SCALE 1/8"=1'-0"

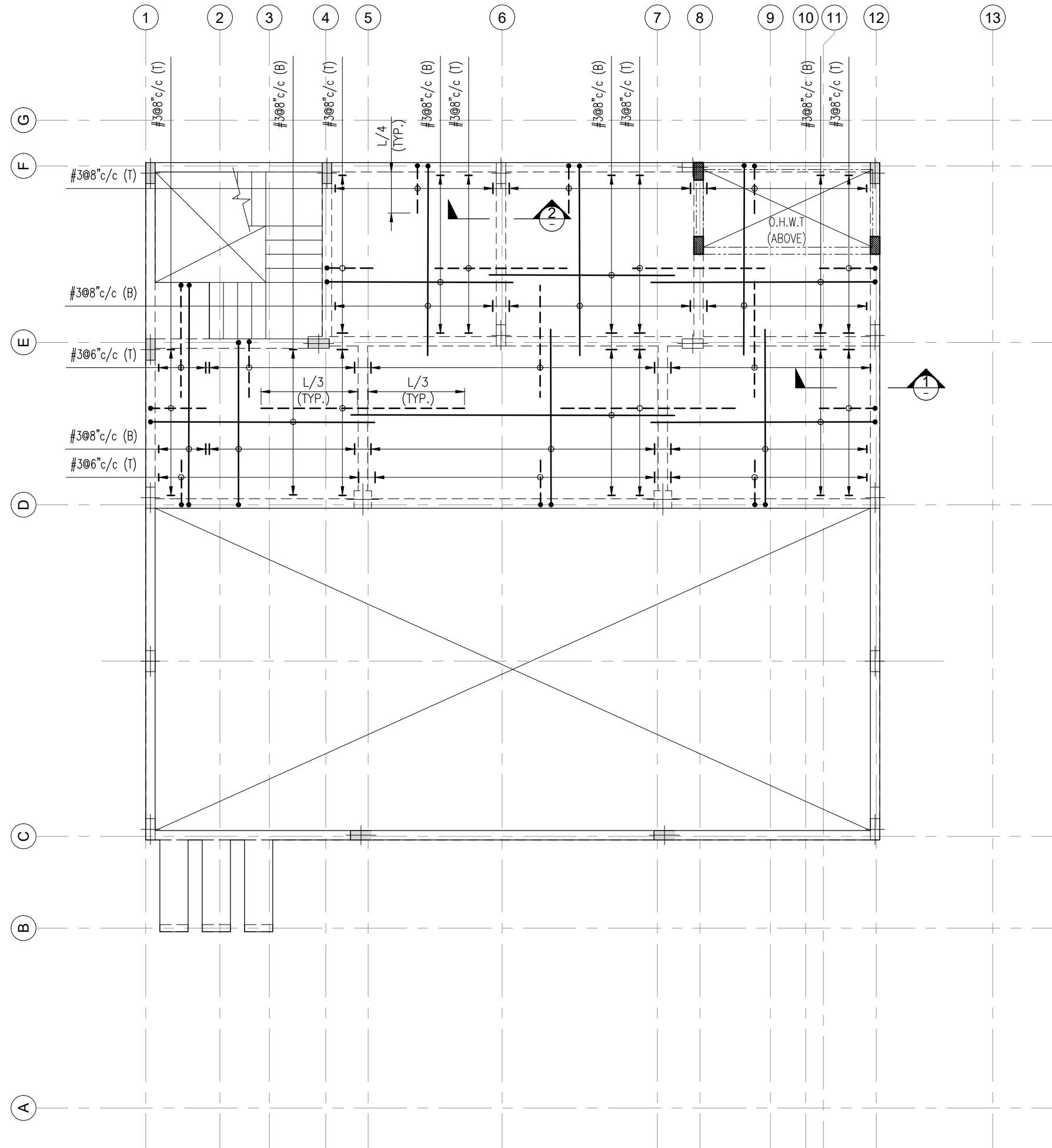
**NOTE:**

1. FOR GENERAL NOTES REFER DWG. NO. S-001
2. ALL STRUCTURAL DRAWINGS TO BE READ IN CONJUNCTION WITH ARCHITECTURAL DWGS.
3. ANY DISCREPANCY IN STRUCTURAL DRAWINGS TO BE REPORTED TO THE ENGINEER PRIOR TO EXECUTION OF WORK



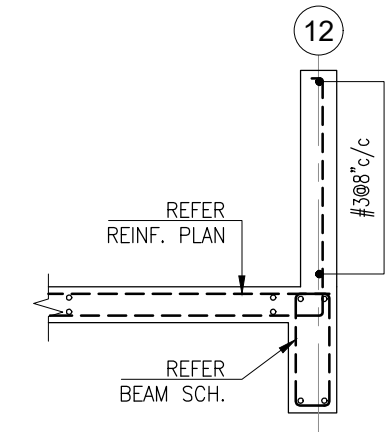
 NATIONAL BANK OF PAKISTAN			
PROJECT:		NBP PAF Bhulari Branch (000) Hyderabad Region.	
TITLE:		ROOF FRAMING PLAN AND SECTIONS	
CONSULTANT:		Tech - Professionals and Consultants (Pvt) Ltd 	
DATE:	JOB NO:	DWG NO:	REV:
17/06/22	001	S-108	02



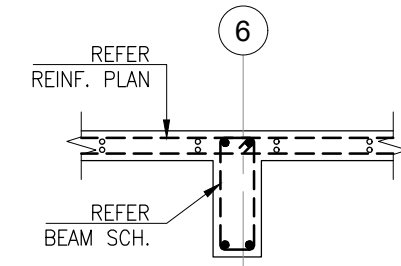


**NOTE:**

1. FOR GENERAL NOTES REFER DWG. NO. S-001
2. ALL STRUCTURAL DRAWINGS TO BE READ IN CONJUNCTION WITH ARCHITECTURAL DWGS.
3. ANY DISCREPANCY IN STRUCTURAL DRAWINGS TO BE REPORTED TO THE ENGINEER PRIOR TO EXECUTION OF WORK





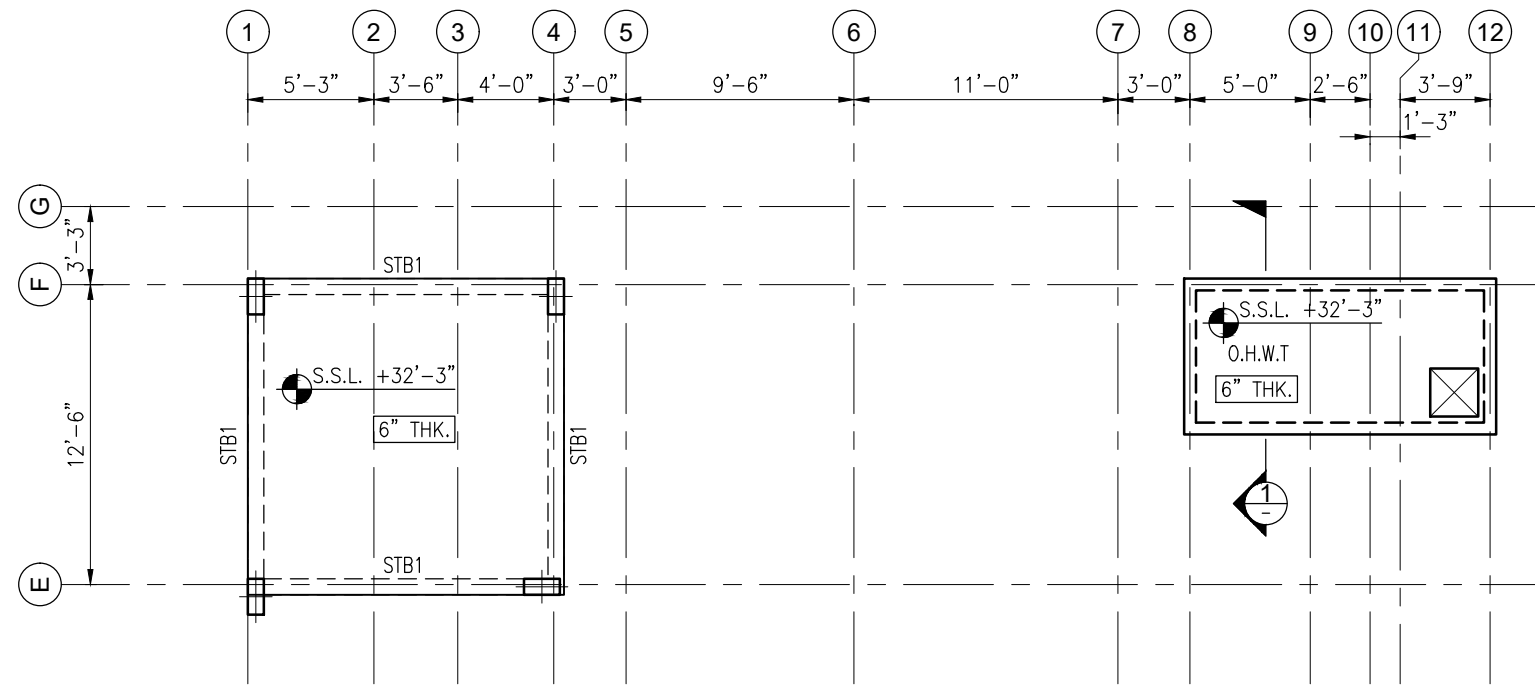
SECTION 1  
SCALE 3/8"=1'



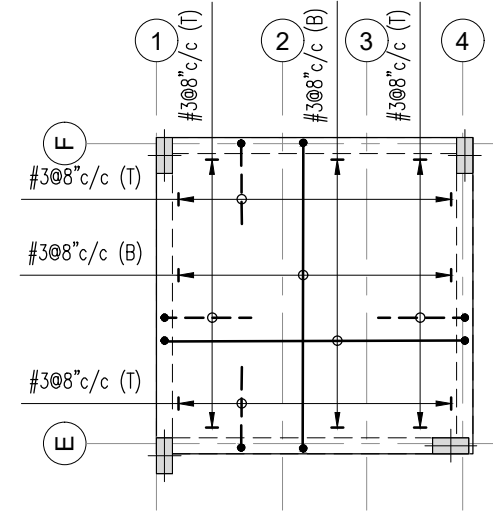
SECTION 2  
SCALE 3/8"=1'

**A** ROOF REINFORCEMENT PLAN  
SCALE 1/8"=1'-0"

 NATIONAL BANK OF PAKISTAN			
PROJECT:		NBP PAF Bhulari Branch (000) Hyderabad Region.	
TITLE:		ROOF SLAB REINFORCEMENT DETAILS	
CONSULTANT:		Tech - Professionals and Consultants (Pvt) Ltd 	
DATE:	JOB NO:	DWG NO:	REV:
17/06/22	001	S-109	01



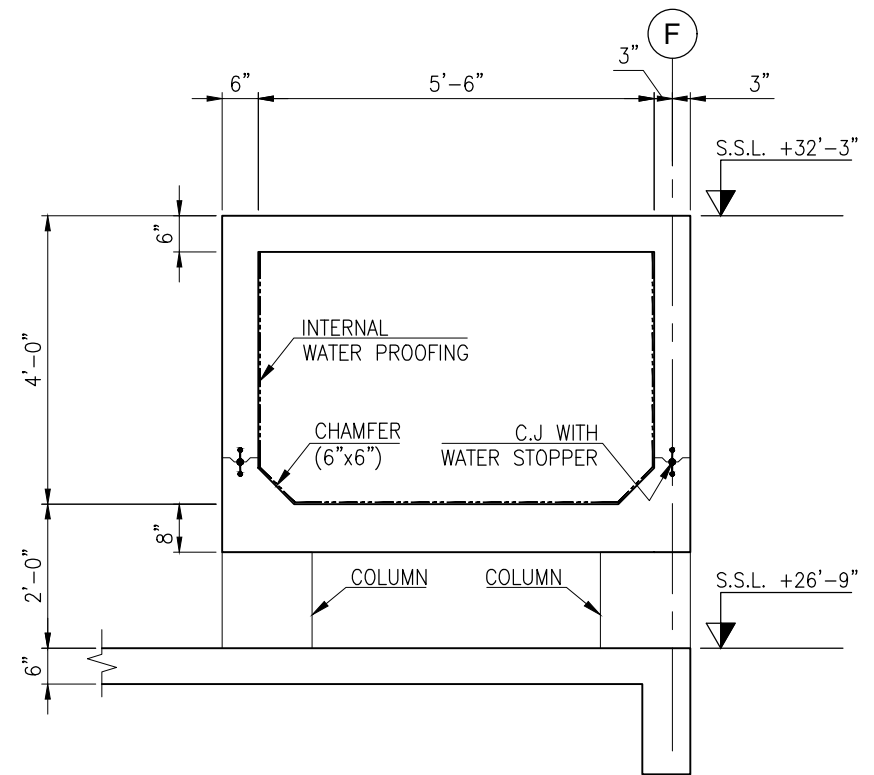
**A** STAIR TOWER FRAMING PLAN  
SCALE 1/8"=1'-0"



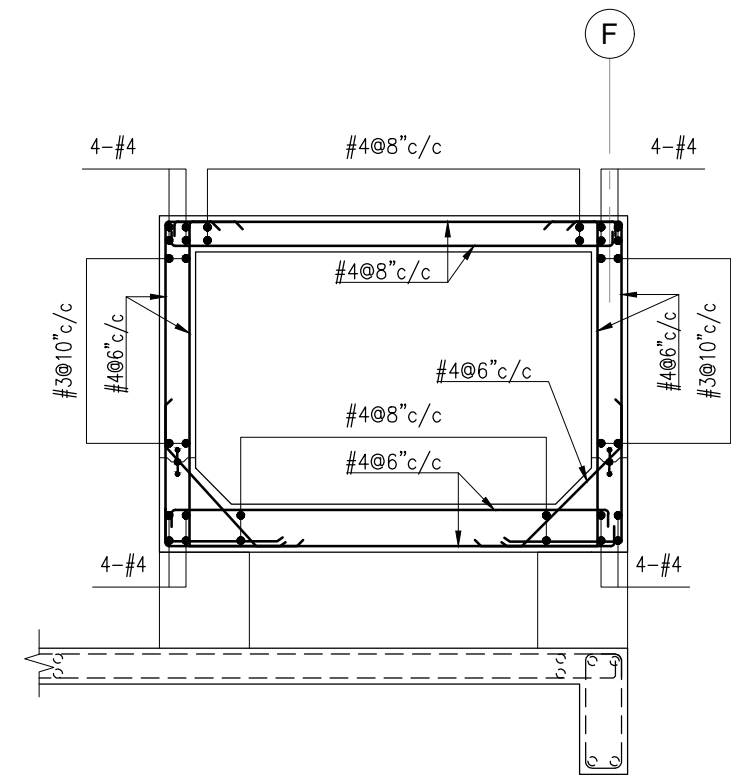
**A** STAIR TOWER REINFORCEMENT PLAN  
SCALE 1/8"=1'-0"

**NOTE:**



1. FOR GENERAL NOTES REFER DWG. NO. S-001
2. ALL STRUCTURAL DRAWINGS TO BE READ IN CONJUNCTION WITH ARCHITECTURAL DWGS.
3. ANY DISCREPANCY IN STRUCTURAL DRAWINGS TO BE REPORTED TO THE ENGINEER PRIOR TO EXECUTION OF WORK

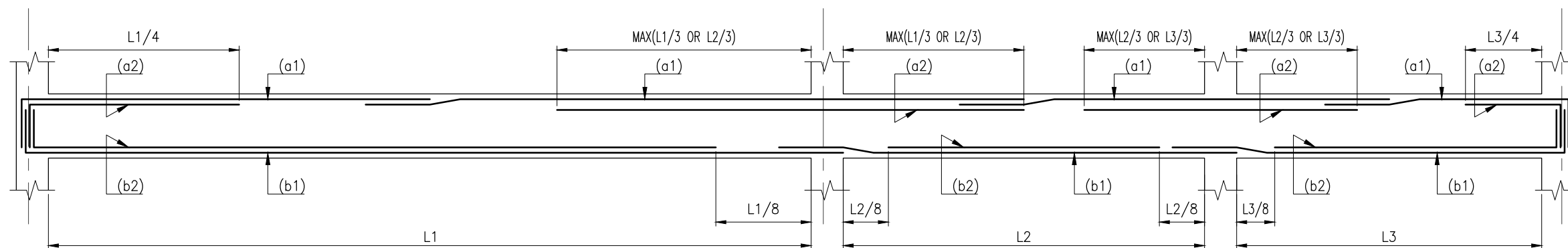


**SECTION 1**  
SCALE 3/8"=1'



**SECTION 1**  
SCALE 3/8"=1'

 <b>NATIONAL BANK OF PAKISTAN</b>			
PROJECT:		NBP PAF Bhulari Branch (000) Hyderabad Region.	
TITLE:		STAIR TOWER AND OHWT DETAILS	
CONSULTANT:		Tech - Professionals and Consultants (Pvt) Ltd 	
DATE:	JOB NO:	DWG NO:	REV:
17/06/22	001	S-110	02



**(A) TYP. ELEVATION OF BEAM**  
SCALE 3/8"=1'

**NOTE:**

1. FOR GENERAL NOTES REFER DWG. NO. S-001
2. ALL STRUCTURAL DRAWINGS TO BE READ IN CONJUNCTION WITH ARCHITECTURAL DWGS.
3. ANY DISCREPANCY IN STRUCTURAL DRAWINGS TO BE REPORTED TO THE ENGINEER PRIOR TO EXECUTION OF WORK

PLINTH BEAM SCHEDULE											
BEAM	SIZE		TOP BARS				BOTTOM BARS			STIRRUPS/BINDERS	
			LHS		RHS					A	B
	WIDTH	DEPTH	a1	a2	a1	a2	b1	b2	b3		
PB1	8"	21"	2-#5	-	2-#5	-	2-#5	-	-	11-#3@5"c/c	#3@10"c/c
PB2	8"	21"	2-#4	-	2-#4	-	2-#4	-	-	12-#3@4"c/c	#3@8"c/c
PB3	8"	21"	2-#5	2-#4	2-#5	2-#4	2-#5	-	-	11-#3@5"c/c	#3@10"c/c
PB4	8"	21"	2-#5	2-#4	2-#5	2-#4	2-#5	2-#4	-	11-#3@5"c/c	#3@10"c/c
PB5	8"	21"	2-#5	-	2-#5	-	2-#5	2-#4	-	11-#3@5"c/c	#3@10"c/c
BEAM AT EL. +14'-9" SCHEDULE											
BEAM	SIZE		TOP BARS				BOTTOM BARS			STIRRUPS/BINDERS	
			LHS		RHS					A	B
	WIDTH	DEPTH	a1	a2	a1	a2	b1	b2	b3		
FB1	8"	21"	2-#5	2-#4	2-#5	2-#4	2-#5	-	-	11-#3@5"c/c	#3@10"c/c
FB2	8"	21"	2-#5	-	2-#5	-	2-#5	-	-	11-#3@5"c/c	#3@10"c/c
FB3	8"	21"	2-#5	2-#6	2-#5	2-#6	2-#6	2-#5	-	11-#3@5"c/c	#3@10"c/c
FB4	10"	24"	3-#5	3-#6	3-#5	3-#6	3-#6	2-#5	-	14-#3@5"c/c	#3@10"c/c
FB5	8"	21"	2-#5	2-#5	2-#5	2-#5	2-#5	2-#5	-	11-#3@5"c/c	#3@10"c/c
BEAM AT EL. +26'-9" SCHEDULE											
BEAM	SIZE		TOP BARS				BOTTOM BARS			STIRRUPS/BINDERS	
			LHS		RHS					A	B
	WIDTH	DEPTH	a1	a2	a1	a2	b1	b2	b3		
RB1	8"	21"	2-#5	-	2-#5	-	2-#5	-	-	11-#3@5"c/c	#3@10"c/c
RB2	8"	21"	2-#5	2-#4	2-#5	2-#4	2-#5	-	-	11-#3@5"c/c	#3@10"c/c
RB3	8"	21"	2-#5	2-#5	2-#5	2-#5	2-#5	2-#4	-	11-#3@5"c/c	#3@10"c/c
RB4	8"	21"	2-#5	2-#6	2-#5	2-#6	2-#5	2-#5	-	11-#3@5"c/c	#3@10"c/c
STB1	8"	24"	2-#5	-	2-#5	-	2-#5	-	-	11-#3@5"c/c	#3@10"c/c

- a1 = 1st LAYER TOP BAR  
- a2 = 2nd LAYER TOP BAR



NATIONAL BANK OF PAKISTAN

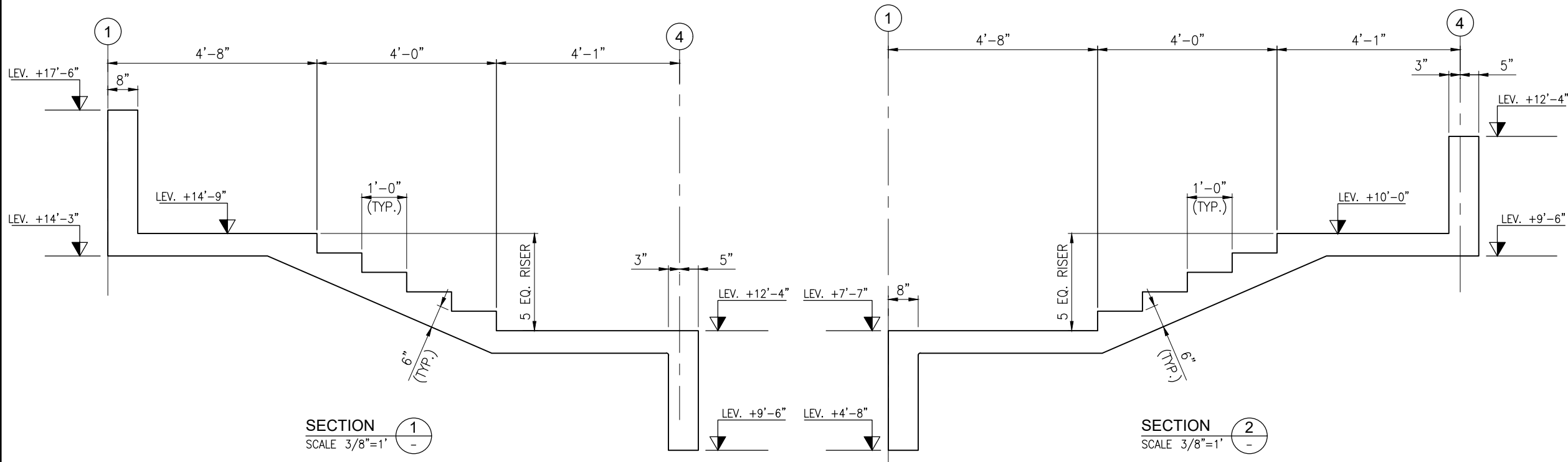
PROJECT: NBP PAF Bhulari Branch (000) Hyderabad Region.

TITLE: TYP. ELEVATION OF BEAM AND SCHEDULE

CONSULTANT: Tech - Professionals and Consultants (Pvt) Ltd



DATE: 17/06/22    JOB NO: 001    DWG NO: S-111    REV: 02

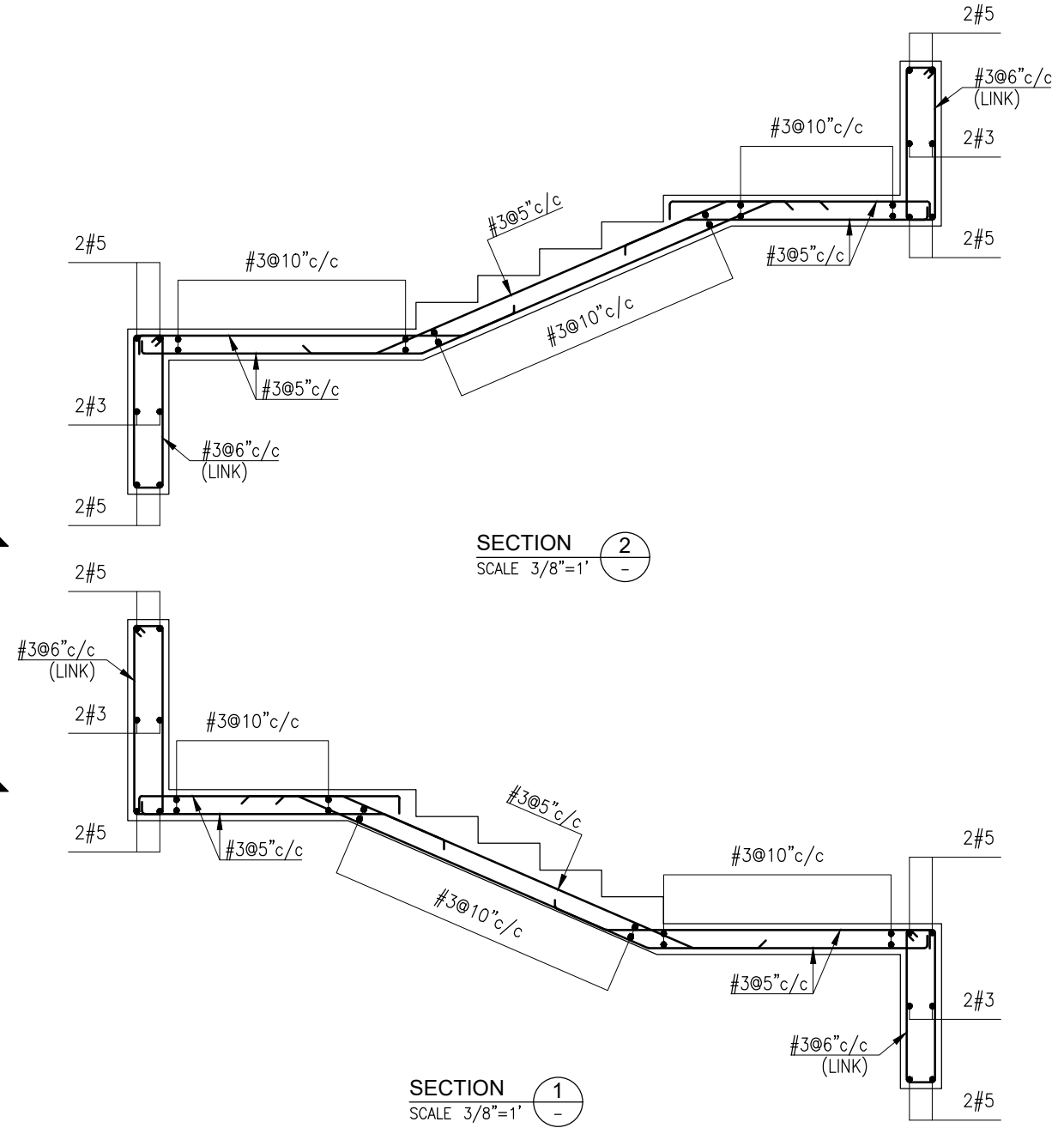
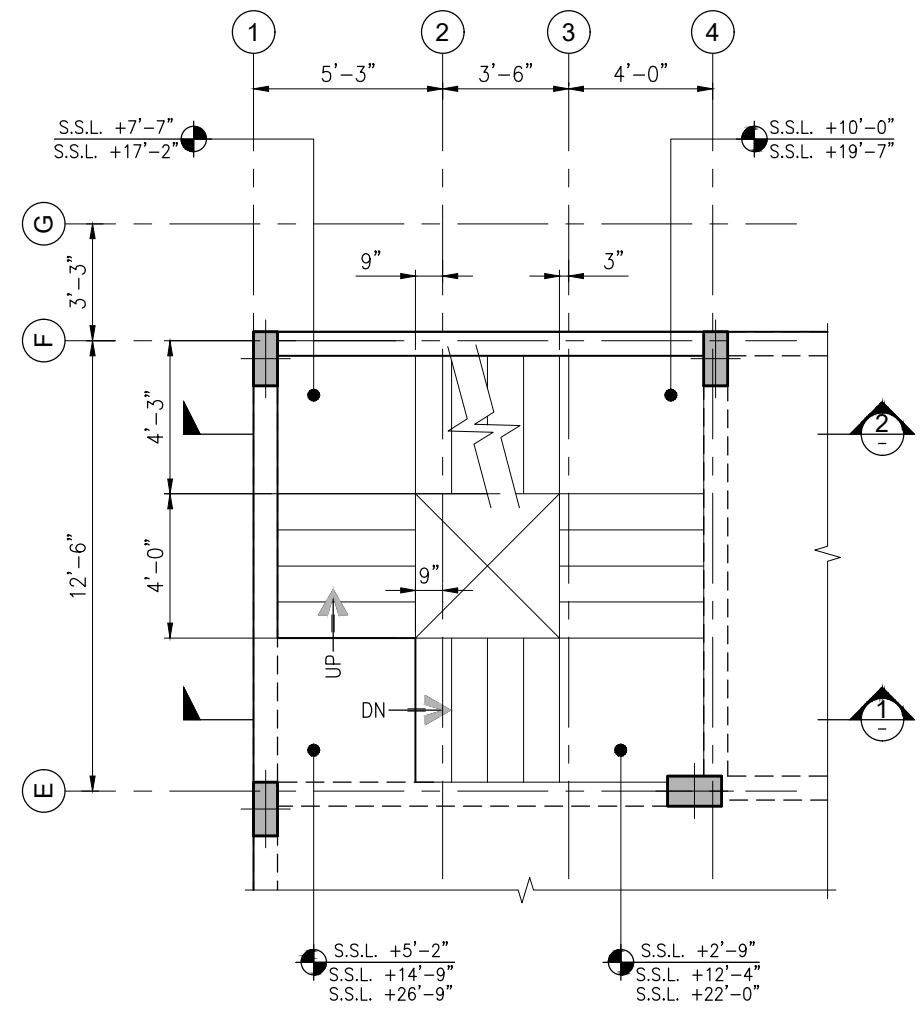


**NOTE:**

1. FOR GENERAL NOTES REFER DWG. NO. S-001
2. ALL STRUCTURAL DRAWINGS TO BE READ IN CONJUNCTION WITH ARCHITECTURAL DWGS.
3. ANY DISCREPANCY IN STRUCTURAL DRAWINGS TO BE REPORTED TO THE ENGINEER PRIOR TO EXECUTION OF WORK



SECTION 1  
SCALE 3/8"=1'

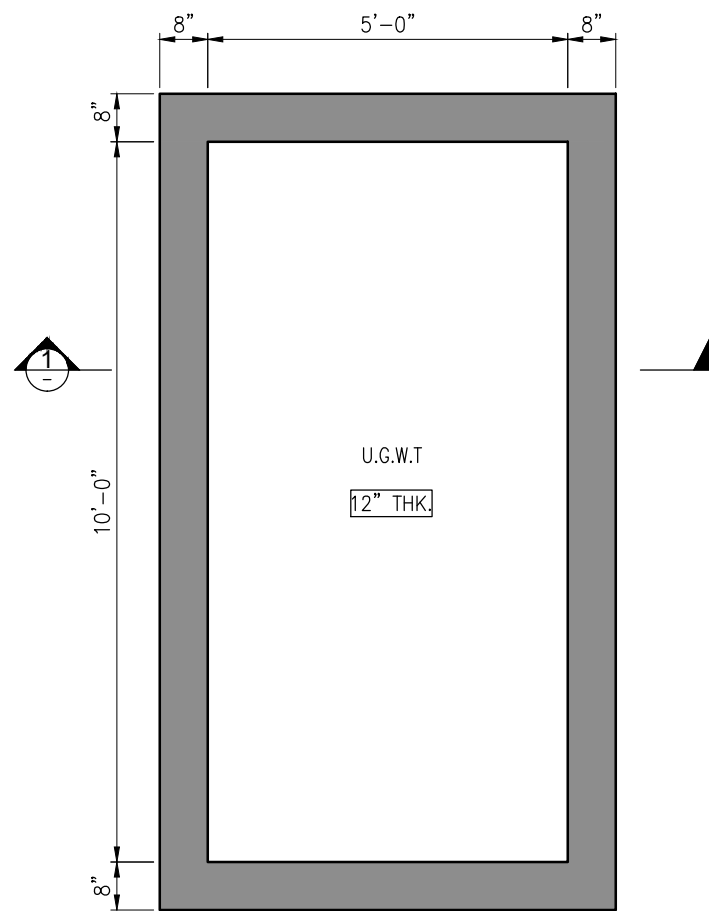
SECTION 2  
SCALE 3/8"=1'



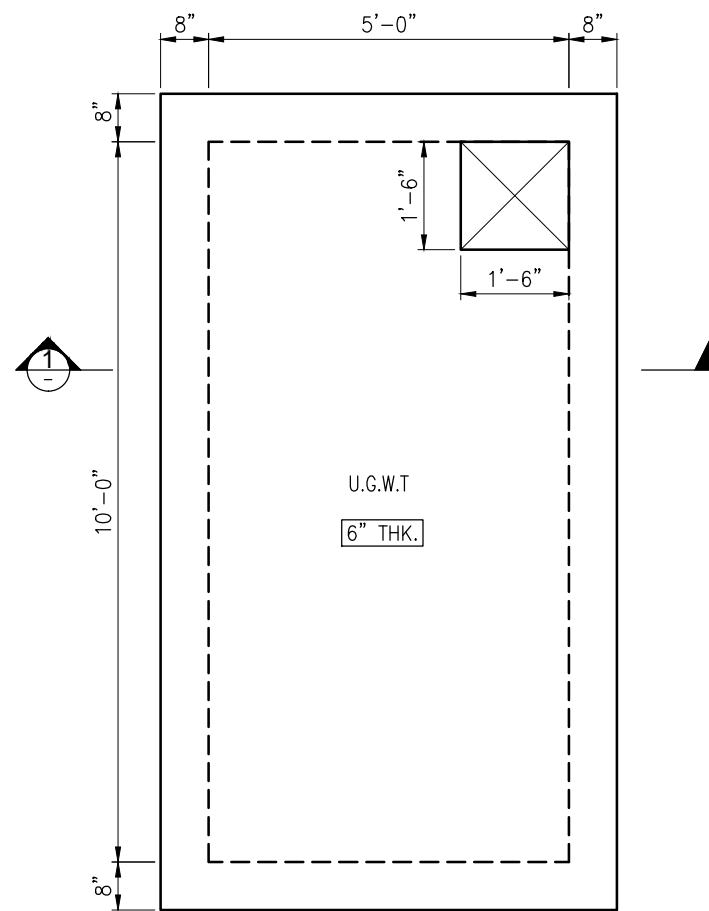
SECTION 1  
SCALE 3/8"=1'

SECTION 2  
SCALE 3/8"=1'

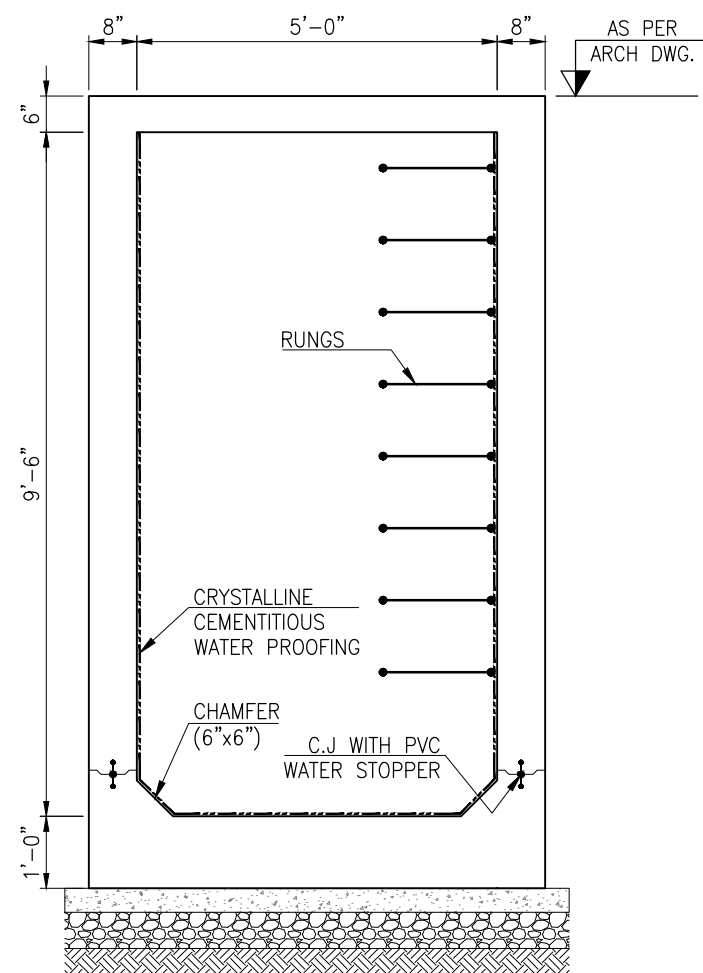
 <b>NATIONAL BANK OF PAKISTAN</b>			
PROJECT:		NBP PAF Bhulari Branch (000) Hyderabad Region.	
TITLE:		STAIRCASE DETAILS	
CONSULTANT:		Tech - Professionals and Consultants (Pvt) Ltd 	
DATE:	JOB NO:	DWG NO:	REV:
17/06/22	001	S-112	02



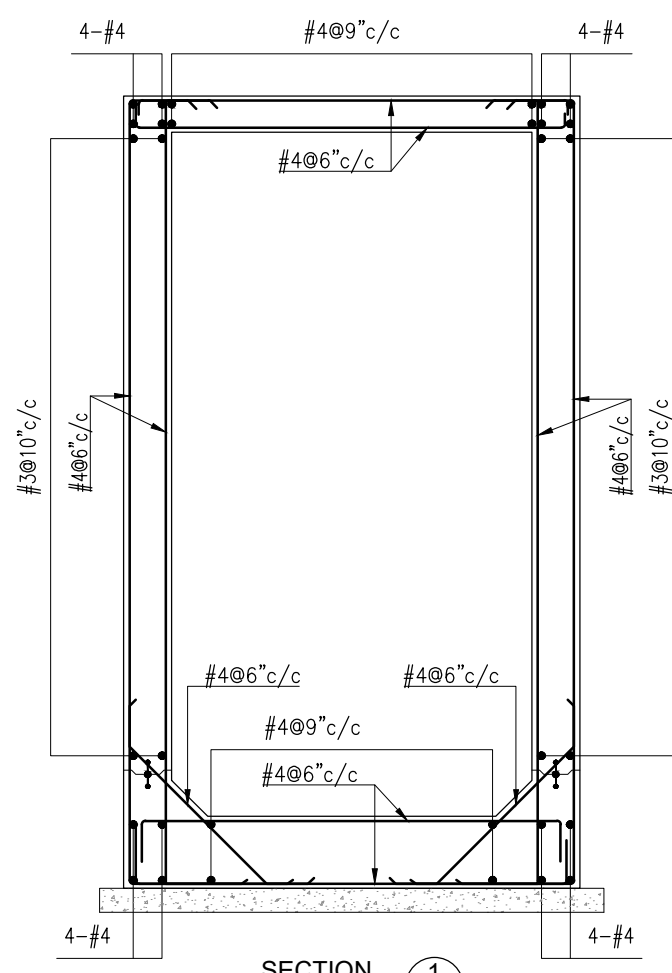
**(A) BOTTOM PLAN OF U.G.W.T SLAB**  
SCALE 3/8"=1'-0"



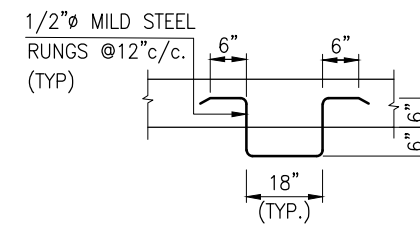
**(B) TOP PLAN OF U.G.W.T SLAB**  
SCALE 3/8"=1'-0"



**SECTION 1**  
SCALE 3/8"=1'





**SECTION 1**  
SCALE 3/8"=1'  
(REINFORCEMENT)



**(C) TYP. DETAIL OF RUNGS**  
SCALE 3/8"=1'-0"

**NOTE:**

1. FOR GENERAL NOTES REFER DWG. NO. S-001
2. ALL STRUCTURAL DRAWINGS TO BE READ IN CONJUNCTION WITH ARCHITECTURAL DWGS.
3. ANY DISCREPANCY IN STRUCTURAL DRAWINGS TO BE REPORTED TO THE ENGINEER PRIOR TO EXECUTION OF WORK

		<b>NATIONAL BANK OF PAKISTAN</b>	
PROJECT:		NBP PAF Bhulari Branch (000) Hyderabad Region.	
TITLE:		U.G.W.T REINFORCEMENT DETAILS	
CONSULTANT:		Tech - Professionals and Consultants (Pvt) Ltd 	
DATE:	JOB NO:	DWG NO:	REV:
17/06/22	001	S-113	01